

# Wireless Radio Control Solutions for Equipment Movement and Operations



## PRODUCT SPECIFICATION SHEET

### FLEX 4EX-IS SYSTEM

The Enrange Flex 4EX packaged radio control system provides a standard cost effective solution to the restrictive use of hard-wired cabling. The system comes as a complete package with mounting hardware, and a manual. The transmitter and receiver are designed to be used for indoor and outdoor applications. For more information or questions please contact your local Enrange representative.

#### Transmitter Specifications

Transmitter Size:	(L x W x D) 5.5" x 3" x 1.3"
Transmitter Weight:	7 ounces
Enclosure Material:	Glass reinforced nylon
Sealing:	Gasket - NEMA 4, IP-66
Power:	(2) AA alkaline batteries, +100 hrs. operation

#### Receiver Specifications

Receiver Size:	(L x W x D) 6.5" x 4.9" x 3.25"
Mounting Type:	Panel mount
Sealing:	NEMA 4, IP-66
Input Voltage:	110-460VAC @ 50/60Hz
Current Draw:	<500mA
Output Type:	11 mechanical relays, 10A @ 250VAC
Diagnostics:	LED lights for visual feedback
Security Codes:	+ 1 million standard codes, field selectable or software programmed

#### General Specifications

Operating Temperature:	-25 - +70 deg C (-3 to +160 deg F)
RF Type:	Microprocessor controlled, 433 MHz, 62 RF Channels
RF Power:	< 1mW standard, no license required (FCC Part 15)
Typical Range:	+300 feet maximum
Security Codes:	+ 1 million standard codes, field selectable

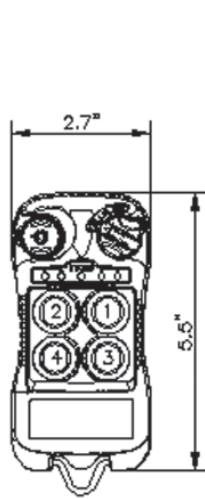
#### Features

- Removable power key on the transmitter
- Two step (speed) pushbuttons standard
- Maintained or momentary outputs field settable
- Pre-wired receiver with 6' cable
- Direction and compass labels standard

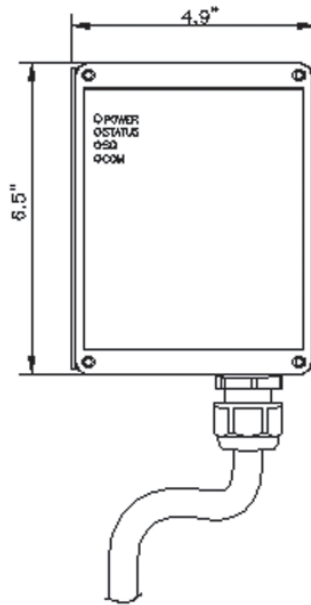
#### Options

- Rechargeable battery and charger option
- Padded nylon transmitter case
- Universal spare transmitter
- Custom labeling available

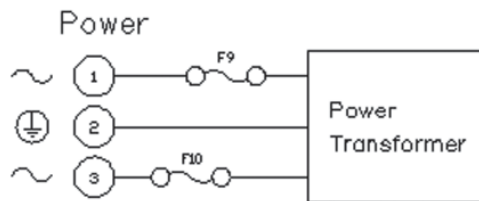
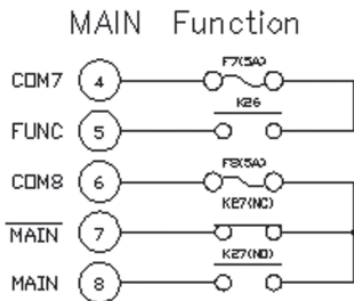
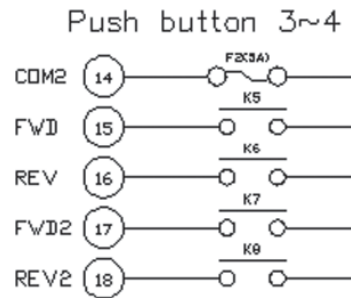
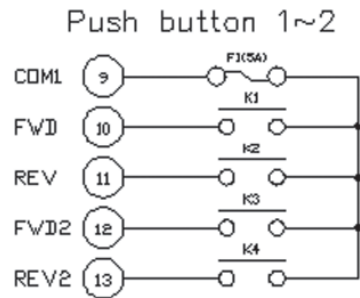
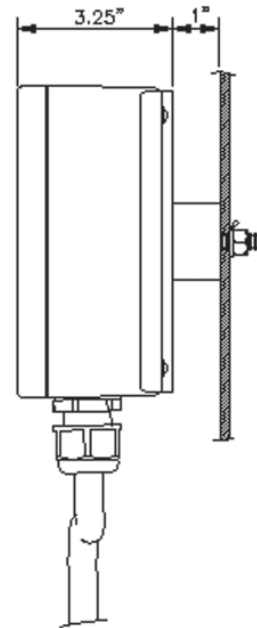




TYPICAL TRANSMITTER LAYOUT



TYPICAL RECEIVER LAYOUT



TYPICAL WIRING DIAGRAM



**MAGNETEK**  
MATERIAL HANDLING

N49 W13650 Campbell Drive  
Menomonee Falls, WI 53051  
p 800.288.8178  
f 262.783.3510

www.magnetekmh.com

2610 Dunwin Drive  
Mississauga, Ontario  
L5L 1J5 CANADA  
p 800.792.7253  
f 905.828.5707



#5 Four Coins Drive  
Canonsburg, PA 15317-1751  
p 724.746.3313  
f 724.746.3379